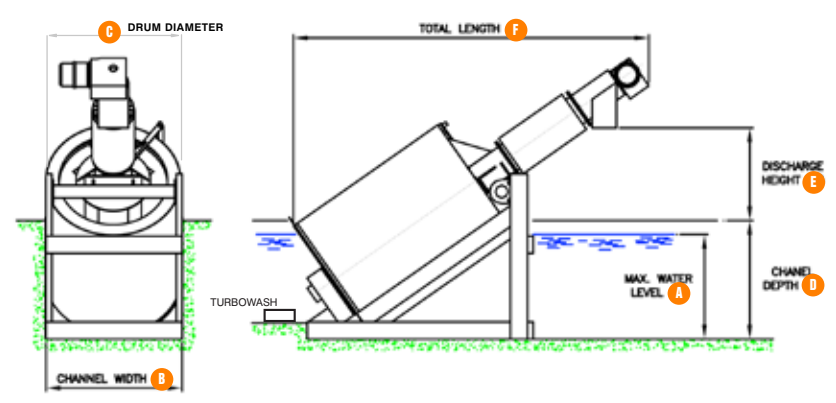
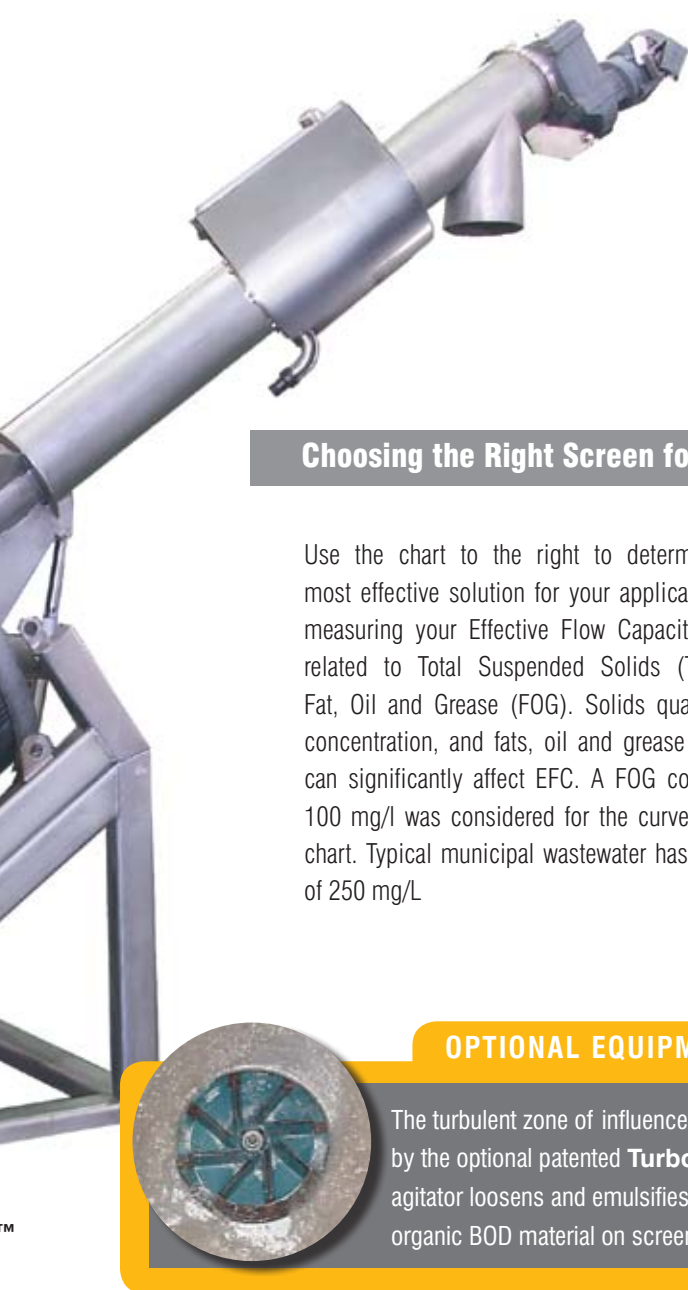


TurboDrum IN™

Headworks® Inclined Drum Screen

Headworks

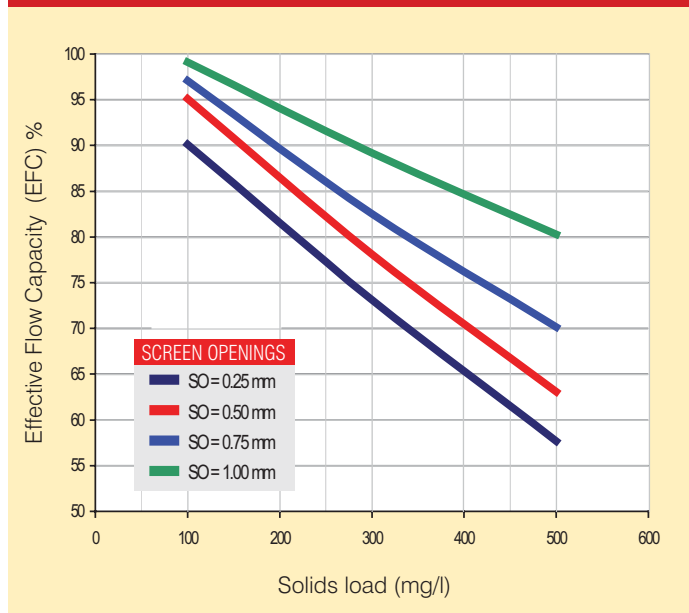
MODEL	FLOW (slot openings in mm)										DIMENSION (mm) See chart below						Motor kW
	1.0		1.5		2.0		2.5		3.0		A	B	C	D	E	F	
	m ³ /hr	gpm	m ³ /hr	gpm	m ³ /hr	gpm	m ³ /hr	gpm	m ³ /hr	gpm							
IN 0707	170	750	190	838	220	970	250	1103	270	1191	450	770	700	550	1600	3460	0.75
IN 0909	260	1147	340	1499	430	1896	470	2073	560	2470	590	990	900	700	1600	3700	1.1
IN 1313	580	2558	680	2999	800	3528	890	3925	1100	4851	850	1430	1300	1020	1600	4170	1.1
IN 1616	970	4278	1150	5072	1300	5733	1450	6395	1650	7277	1050	1760	1600	1250	1600	4560	2.2
IN 1818	1300	5733	1550	6836	1780	7850	1950	8600	2200	9702	1180	1980	1800	1410	1600	4800	2.2
IN 2020	1600	7056	1950	8600	2200	9702	2400	10584	2700	11907	1300	2200	2000	1570	1600	5060	2.2
IN 2222	1900	8379	2300	10143	2630	11598	2900	12789	3280	14465	1440	2420	2200	1730	1600	5310	2.2
IN 2424	2280	10055	2750	12128	3200	14112	3500	15435	3900	17199	1570	2640	2400	1880	1600	5550	3
IN 2626	2700	11907	3200	14112	3780	16670	4200	18522	4600	20286	1700	2860	2600	2040	1600	5800	3




Choosing the Right Screen for your Application

Use the chart to the right to determine the most effective solution for your application by measuring your Effective Flow Capacity (EFC) related to Total Suspended Solids (TSS) of Fat, Oil and Grease (FOG). Solids quality and concentration, and fats, oil and grease content can significantly affect EFC. A FOG content of 100 mg/l was considered for the curves in the chart. Typical municipal wastewater has an EFC of 250 mg/L

Effective Flow Capacity in Municipal Sewage



OPTIONAL EQUIPMENT



The turbulent zone of influence created by the optional patented **TurboWash™** agitator loosens and emulsifies the organic BOD material on screenings.

For a detailed explanation of Effective Flow Capacity (EFC), contact your local representative or call Headworks at +1.713.647.6667